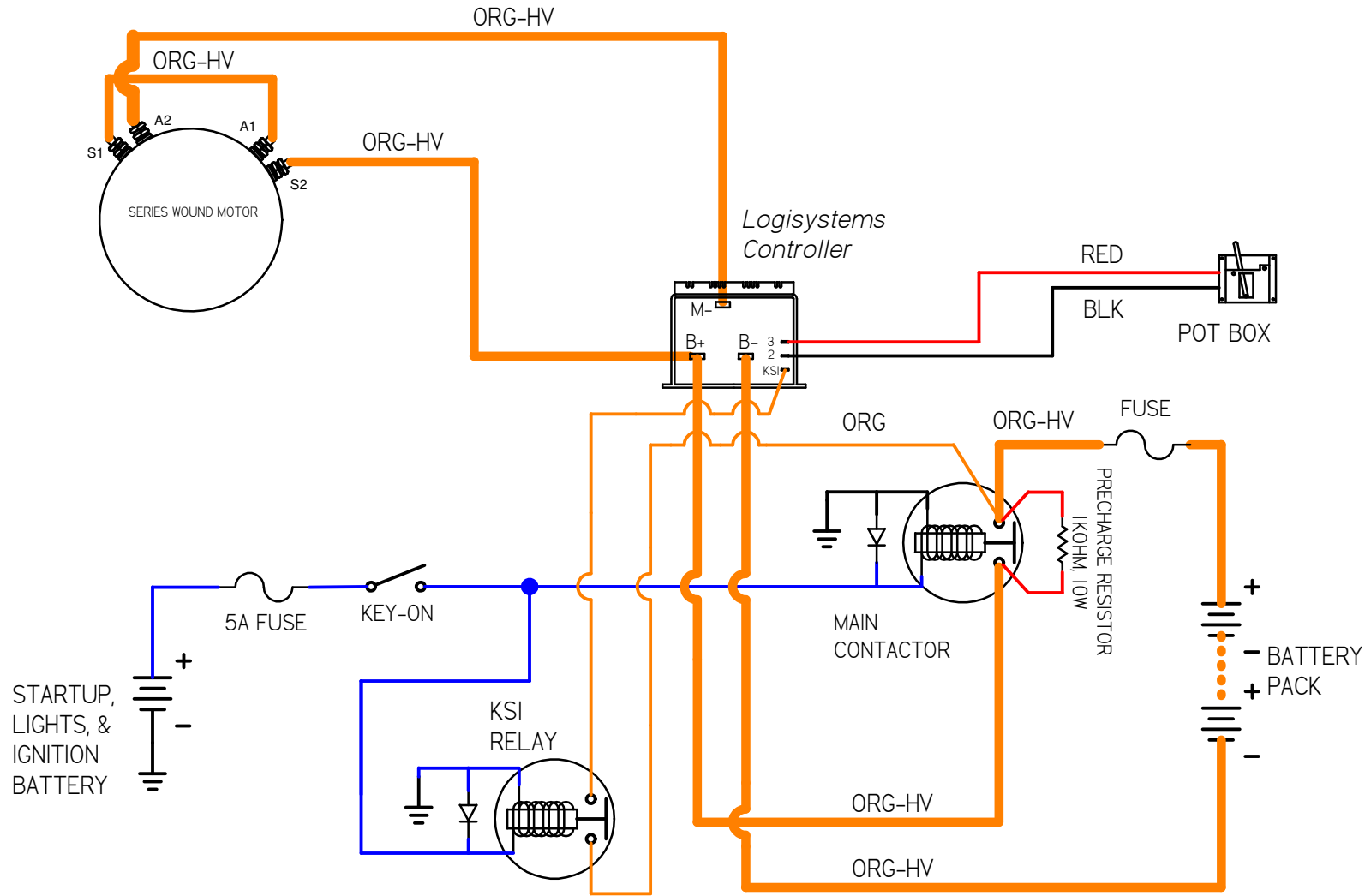


REVISION HISTORY			
REV	DESCRIPTION	DATE	APPROVED
0	DRAWN ON CAD	10/07/09	



NOTES:

1. HV = High Voltage Wire
2. Orange Wires on 3 pin connector are not polarity sensitive
3. Motor Wiring is based on NetGain WarP series motors recommended connection method. For full documentation, visit [www.go-ev.com](http://www.go-ev.com)
4. KSI relay contacts must be rated for battery pack voltage

NAME	DATE	EV SOURCE, LLC	
DRAWN: FRED	10/07/09	Logisystems Controller Wiring Schematic	
CHECKED: RYAN		THIS DRAWING IS THE PROPERTY OF EV SOURCE, LLC AND IS NOT TO BE USED FOR ANY PURPOSE OTHER THAN THAT FOR WHICH IT WAS SPECIFICALLY FURNISHED	
PLOT DATE: 10/14/09		SIZE: A	REV: 0
		PART NO. (PART NO.)	
		SCALE:	WEIGHT: