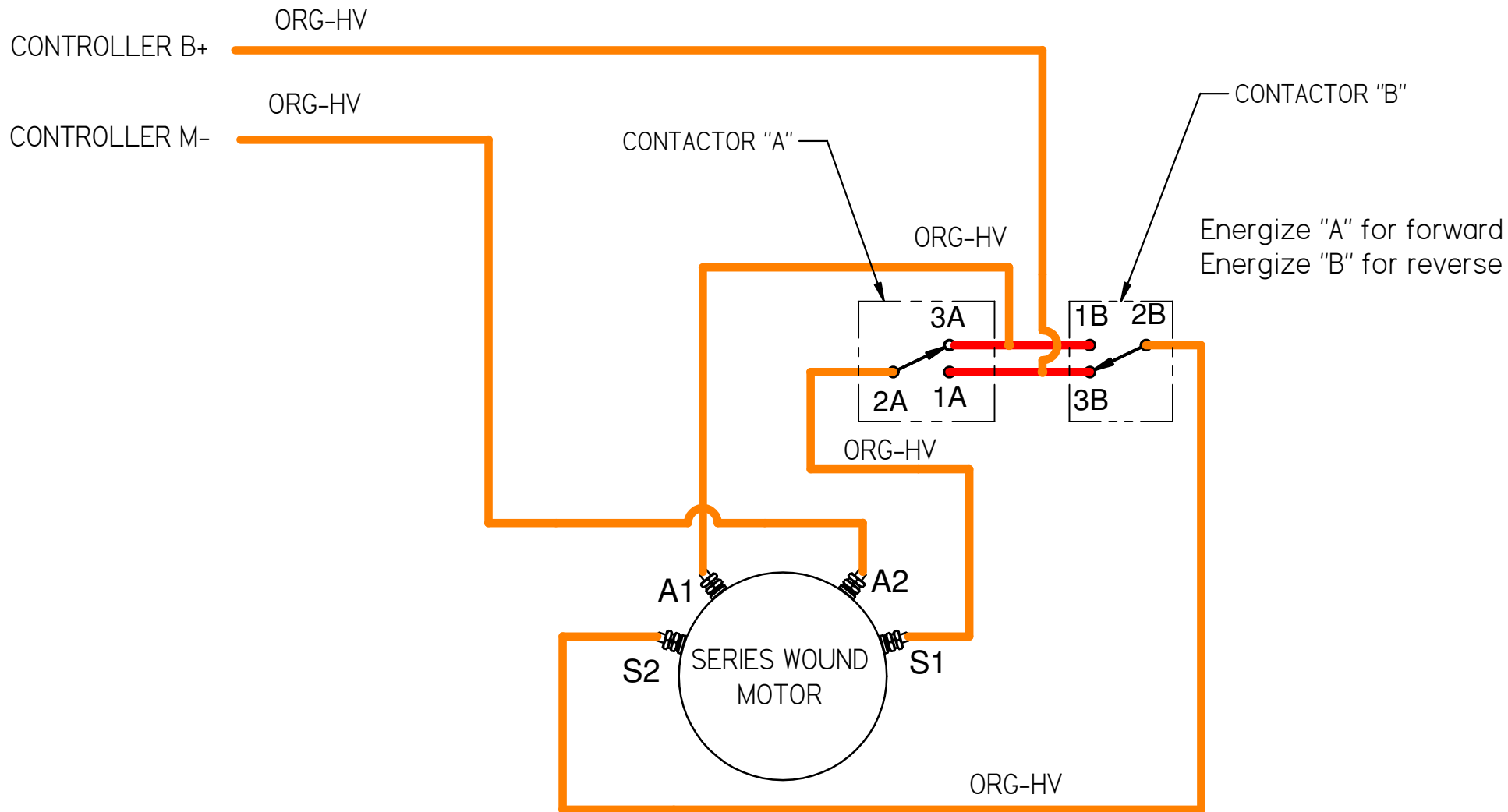


REVISION HISTORY			
REV	DESCRIPTION	DATE	APPROVED
0	DRAWN ON CAD	06/28/10	



NOTES:

1. HV = High Voltage Wire

	NAME	DATE	NetGain Controls, Inc.	
DRAWN	FRED	06/28/10		
CHECKED	RYAN			
PLOT DATE	07/26/10		TITLE REVERSING CONTACTOR WIRING SCHEMATIC	
THIS DRAWING IS THE PROPERTY OF NETGAIN CONTROLS, INC. AND IS NOT TO BE USED FOR ANY PURPOSE OTHER THAN THAT FOR WHICH IT WAS SPECIFICALLY FURNISHED			SIZE A	REV 0
			PART NO. WarP-Drive_Wiring_Reverse.dft	
			SCALE	WEIGHT