

KILOVAC EV100 Series Contactor With 1 Form X Contacts Rated 100 Amps Continuous, 900 Vdc

Product Facts

- 8kV isolation between open contacts permits use for high voltage isolation and carry
- Designed and built in accordance to AIAG QS9000
- 9-36 economized coil
- Hermetically sealed — operates in explosive/harsh environments with no oxidation or contamination of coil or contacts during long periods of non-operation
- Not position sensitive, can be mounted in any orientation

Physical Data

Contact Arrangements — Main Contacts — SPST-NO-DM (1 Form X)

Dimensions — See drawing

Weight, Nominal — 4.4 oz (126g)

Environmental Data

Shock, 11ms 1/2 Sine (Operating) — 20 G_{peak}

Sine Vibration, 20 G_{peak} — 55-2000 Hz

Noise Emission (at 100 mm distance) — 70dB(a)

Operating Temperature Range — -40°C to +85°C

Electrical Data

Voltage Rating — Main Contacts (Max) — 900 Vdc

Current Rating, Continuous — Main Contacts — 100A
Short Term - 3 mins. — 200A

Hot Switching Performance (Positive Polarity) ³ —
50A make/break @ +400Vdc — 50,000 cycles
100A make/ break @ +400Vdc — 6,000 cycles
100A make/break @ -400Vdc — 1,000 cycles
200A make/break @ +400 Vdc — 500 cycles
1,000A break only @ +400 Vdc — 10 cycles
600A make only @ — 25 cycles

Mechanical Life (Min) — 1 million cycles

Dielectric Withstand Voltage — Between Open Contacts — 5,600 Vrms/8,000 VDC
Contacts to Coil — 2,000 Vrms/4,000 Vdc

Insulation Resistance

Terminal to Terminal/ Terminals to Coil — 100MΩ min @ 500Vdc new
50MΩ min @ 500Vdc end of life

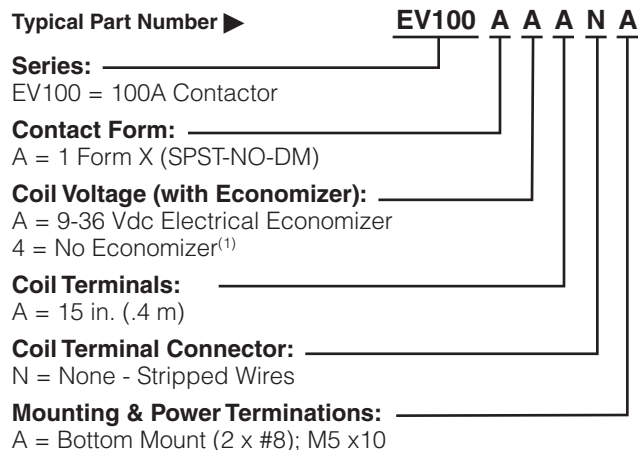
Coil Data

In Rush Max Current — 3.5 A
High range — 36 Vdc

Avg. Hold Current — 100mA @ 12V, 45 mA @ 24V

Ordering Information

Typical Part Number ►



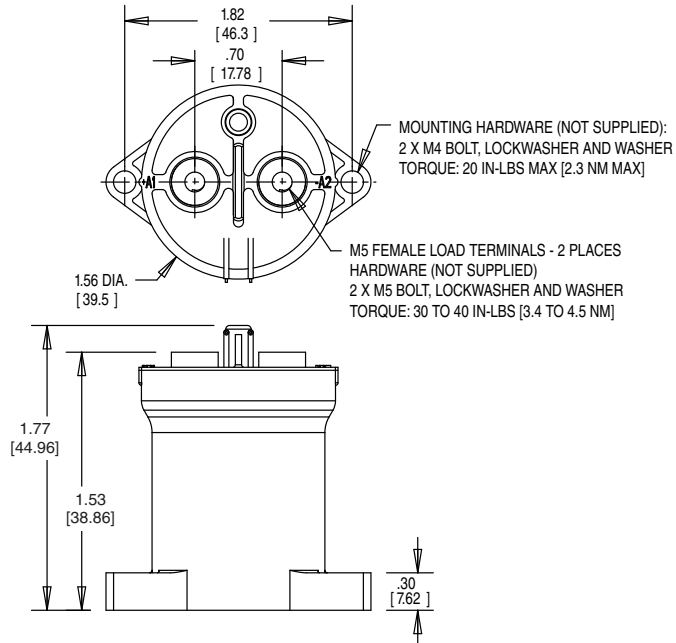
(1) Requires external economizer.

For factory-direct application assistance, dial 800-253-4560, ext. 2055, or 805-220-2055.

KILOVAC EV100 Series (Continued)

Outline Dimensions

Bottom Mount



For factory-direct application assistance,
dial 800-253-4560, ext. 2055, or
805-220-2055.