

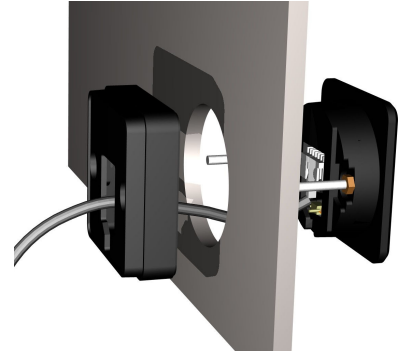
***PakTrakr* Display**

Installation Guide

The PakTrakr Display may be mounted in a standard 2-1/16" panel cutout or on any flat surface.

Panel Mounting

- 1) Choose a location with adequate clearance behind the panel
- 2) Use a hole saw to create a 2-1/16" opening
- 3) Route the 3-conductor cable from the PakTrakr Remote to the back of the panel (secure with cable ties)
- 4) Route the cable through the square black plastic housing and through the opening just created in the panel (see illustration).
- 5) Make sure the Remote is powered off (black lead disconnected, LED off), then connect the cable to the three-pin (right-most) connector on the rear of the display.
- 6) Place the display in the opening, and slide the black square housing on the nylon bolts. Clamp the housing and display to the panel with the 6-32 nuts supplied.



Surface Mounting

- 1) Fasten the black square housing to the back of the PakTrakr Display using the 6-32 nuts supplied. Tighten lightly.
- 2) Use wire cutters to clip off the nylon bolts flush with the nuts (protect your eyes when cutting).
- 3) The cable from the PakTrakr Remote may be routed through the panel or wall, or simply routed up through the bottom of the PakTrakr housing. If routing through the panel:
 - a. Drill a 7/16" hole in the panel.
 - b. Route the cable to the back of the panel, and out through the 7/16" hole.If routing up the panel/wall, create an opening for the cable at the bottom of the square black housing, using wire cutters.
- 4) Make sure the Remote is powered off (black lead disconnected, LED off), then connect the cable to the three-pin (right-most) connector on the rear of the display.
- 5) Use double-sided tape to mount the PakTrakr display to the flat surface.

Rear Connectors

Left (4-pin) connector:

- Current sensor input (with optional sensor)
- Serial data output (with optional interface cable)

Right (3-pin) connector:

- PakTrakr Remote(s)



PakTrakr Display

Quick Reference

Top LCD Line: Graphic Displays
Bottom LCD Line: Text/Numeric Displays

Left Button: Controls top line of LCD
Right Button: Controls bottom line of LCD

Button Operation:

Single Press: Describes current display element OR
 Exits automatic Alert displays

Subsequent Press: Cycles through available display elements

Top LCD Line Abbreviations:

Pack SOC	Pack State of Charge ("fuel"/energy remaining)
BattV @A/B/C	Bar chart of individual battery voltages at Remote(s)
30Dy SOC	30-day log (line chart) of lowest daily SOC
30Hr SOC	30-hour log (line chart) of average hourly SOC
30Mn SOC	30-minute log (line chart) of SOC
Pack Vlt	Pack voltage

Bottom LCD Line Abbreviations

Pack Vlt	Pack voltage
Pack SOC	Pack State of Charge (% of energy remaining)
BattV @A/B/C	Battery voltages at Remote(s), cycles through each
Temp @A/B/C	Temperature (Deg F) at Remote(s)
Alerts	Problems detected by Remote(s)
Amps	Measured current in/out of pack (instantaneous)
kwatts	Kilowatts (Volts x Amps / 1000) in/out of pack

Alert Abbreviations

Chk Watr	Low water likely in battery indicated
Chrg Bat	Pack imbalance, charge individual battery indicated
Failing	Indicated battery is failing, replace to avoid pack damage
Damaged	Indicated battery is shorted or damaged, replace

Current Draw: 5mA (supplied by Remote)
Dimensions: 2.33" x 2.33" x 0.9"
Weight: 2.4 ozs.
Warranty: One year from date of purchase

For more information or technical support, please visit our web site at
www.paktrakr.com.