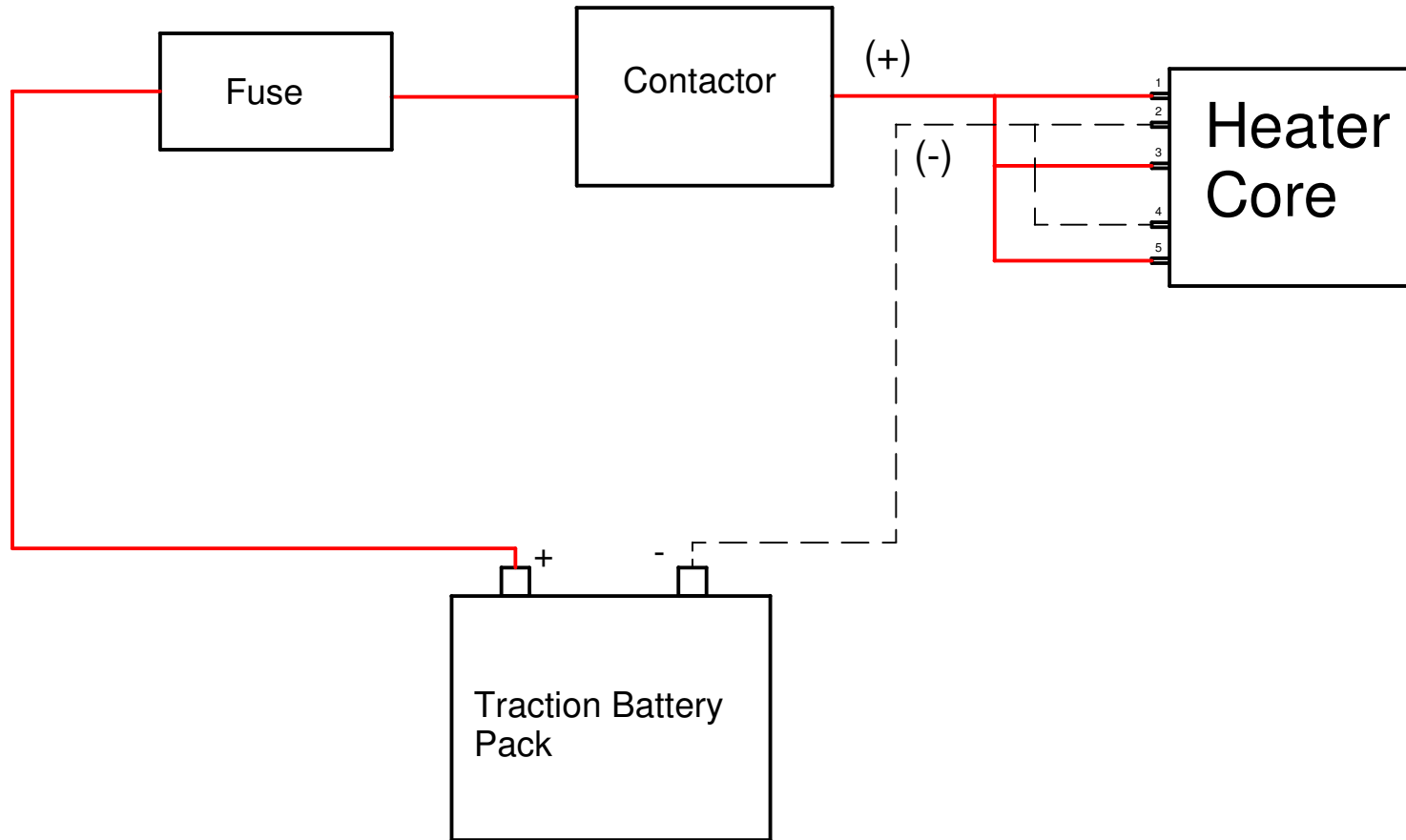


REVISION HISTORY			
REV	DESCRIPTION	DATE	APPROVED
0	DRAWN ON CAD	01/07/10	

Fuse
 Current Rating: 20 Amps
 Suggestions:
 EVS P/N: 131-DCT20-2

DC Contactor
 Current Rating: 20 Amps
 Voltage Rating: Pack Voltage
 Suggestions:
 SW-200
 SW-200 Compatible
 Kilovac LEV200



Notes: Wire size of at least #12 is recommended

	NAME	DATE	EV Source, LLC	
DRAWN	FRED	01/07/10	TITLE: Heater Core Wiring Diagram	
CHECKED	RYAN			
PLOT DATE	01/07/10			
UNLESS OTHERWISE SPECIFIED DIMENSIONS ARE IN INCHES TOLERANCE ±0.002			SIZE A	PART NO. 131-CEV-XXXX Heater Wiring Diagram.dft
			SCALE:	WEIGHT:
			REV 0	