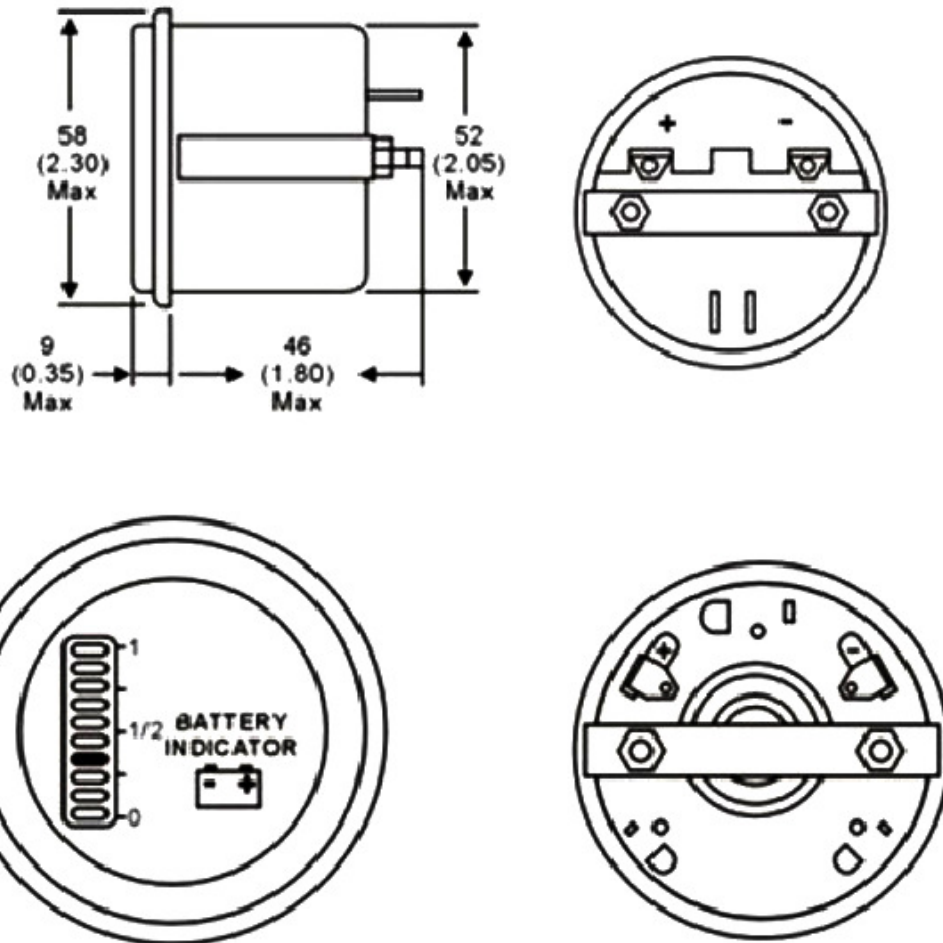
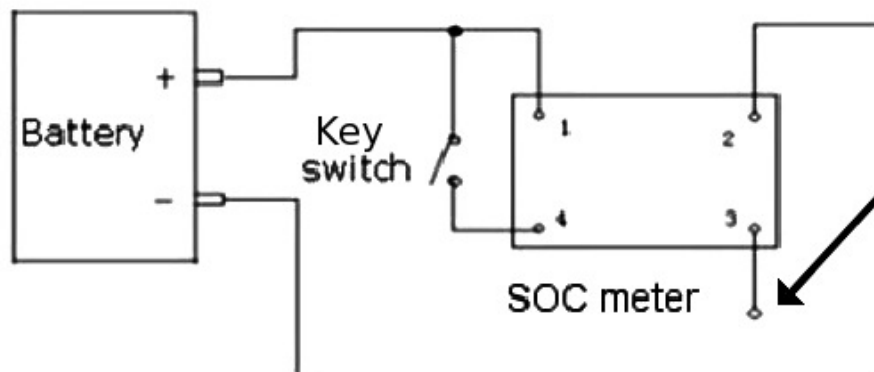


State of Charge Meter Specifications & Installation

Dimensions in mm and (inches)



Schematic Diagram



Output control signal. When the battery has some % of charge, outputs 5V(10k Ohm). When the battery is empty, outputs 0V (5K Ohm).